

Madison Rain Catcher Installation

MIS011

General Information:

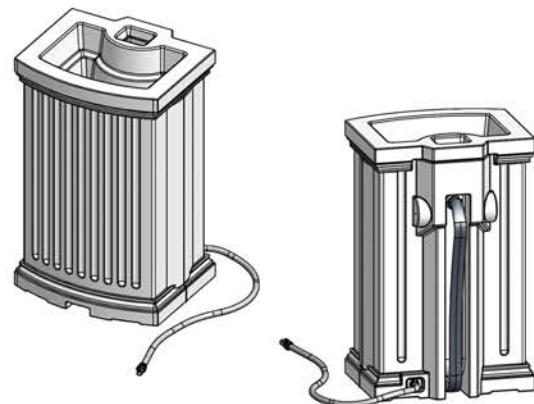
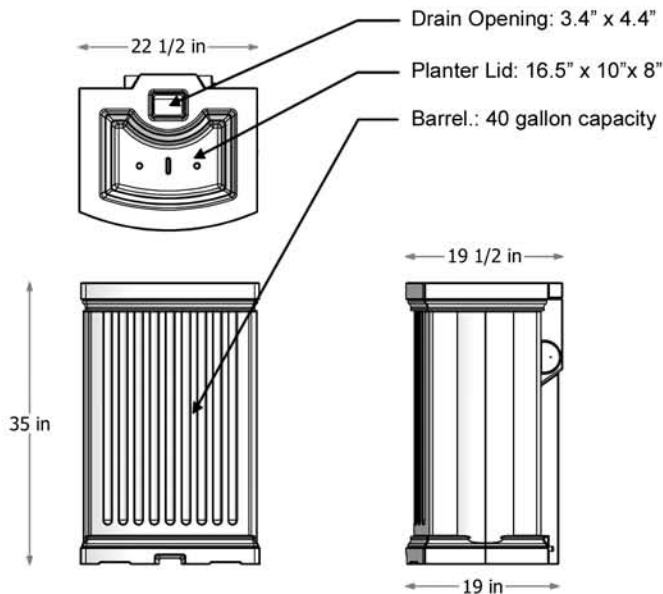
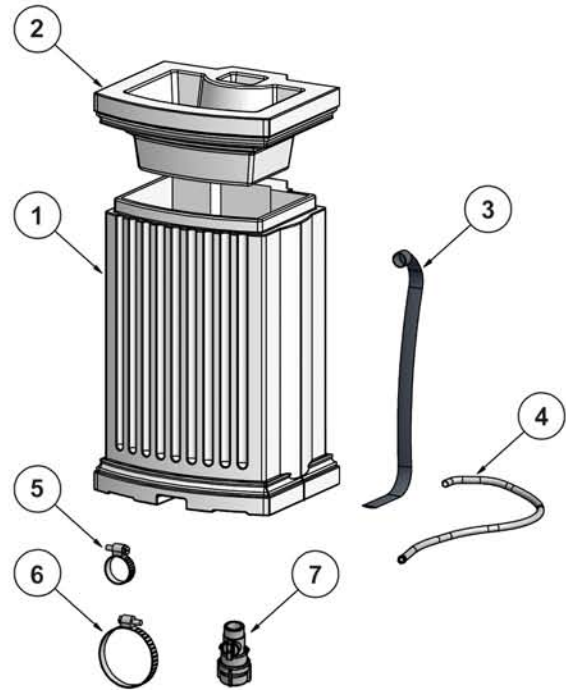
- Read instructions carefully before beginning assembly.
- To clean the product, for best results use a soap solution and high-pressure water.
- Downspout connectors are not included and can be purchased from your local hardware store.
- **In the event of missing or defective parts, please contact our customer service department at info@gomayne.com or toll free at 866-363-8834 (Monday through Friday, 8am-5pm EST).**

Materials List:

Part #	Description	Quantity
1	Decorative Barrel	1
2	Planter Top	1
3	Overflow Hose	1
4	Garden Hose	1
5	Small Hose Clamp	1
6	Large Hose Clamp	1
7	Shut-off Valve	1

Tools Required:

- Slot screw driver



IMPORTANT NOTES:

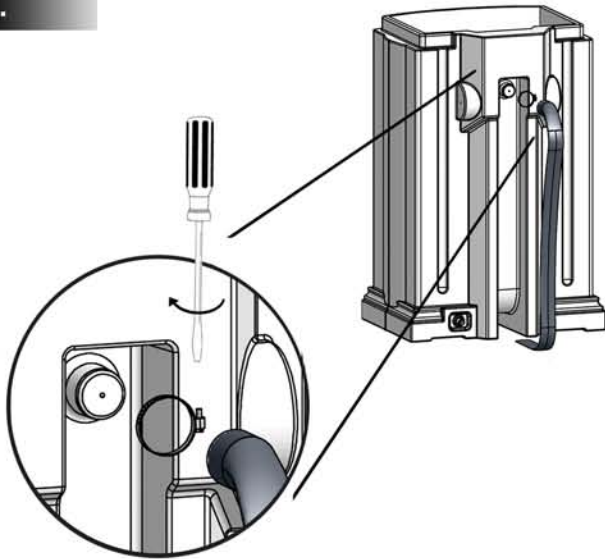
- When setting up your rain catcher be sure to direct the overflow hose away from the foundation of the house. To customize your installation longer overflow hose can be purchased from the local hardware store (1 1/2" diameter required).
- To prevent tipping always leave some water in the barrel.
- In colder climates we recommend emptying the rain barrel for winter storage. While the rain barrel is in storage a section of flexible downspout hose (not included) can be temporarily attached to your downspout to help direct water away from the house.

MAYNE[®]
Outdoor Products of Distinction
www.gomayne.com

Madison Rain Catcher Installation

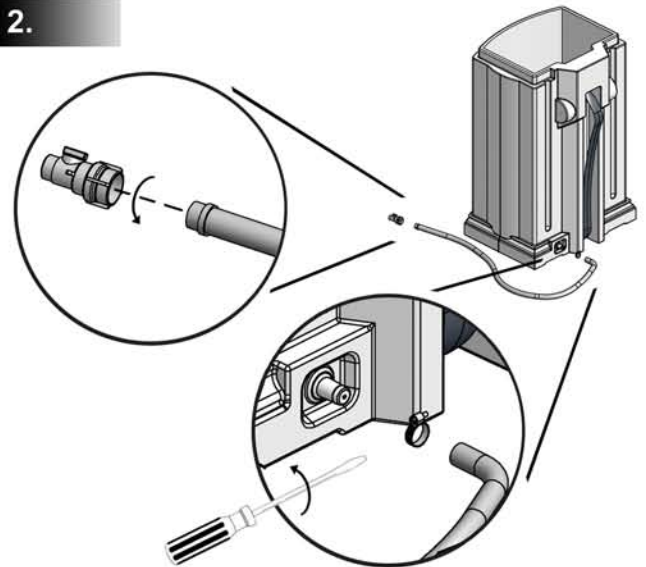
MIS011

1.



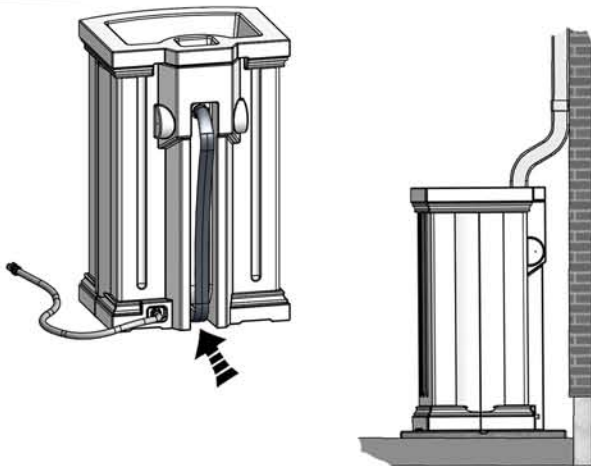
Attach the overflow hose (part 3) to the rain barrel overflow connector using the large clamp (part 6) to secure the hose in place. Tighten clamp with a slotted screw driver.

2.



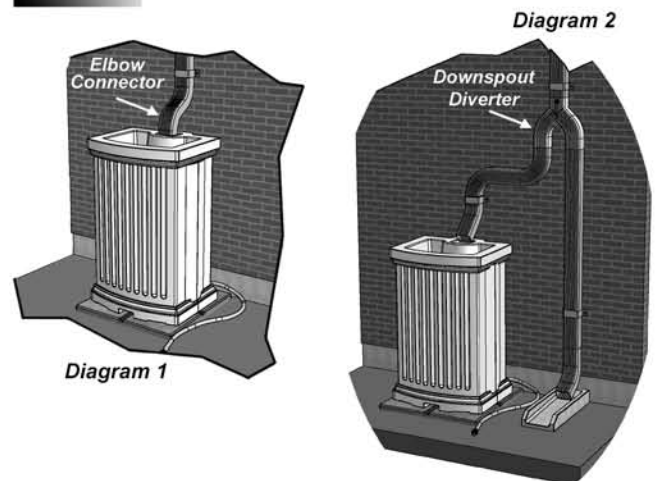
Attach the shut-off valve (part 7) to the threaded end of the garden hose (part 4). Next, attach the garden hose (part 4) to the rain barrel drain connector using the small clamp (part 5) to secure the hose in place. Tighten clamp with a slotted screw driver.

3.



When placing your barrel under the downspout check that the ground is level and be sure to insert the overflow hose into the center channel as indicated by the arrow. We recommend using a patio stone to create a flat surface. Slightly angle the patio stone away from the house to direct run off water away from the foundation.

4.



To complete the installation we recommend attaching an elbow to the end of the downspout (see diagram 1). A second option is the use of downspout diverter which has a lever to direct water into the barrel. Once the barrel is full you manually flip the lever back to direct water down the regular downspout (see diagram 2).

For questions or concerns please contact our customer service department at info@gomayne.com or toll free at 866-363-8834.

MAYNE[®]
Outdoor Products of Distinction
www.gomayne.com