

Fairfield Tall Planter Instructions (for part #'s 5829B, 5829C, 5829W)

MIS017



PACKAGE CONTENTS: 1x Fairfield Tall Planter

COLORS: Black, Clay, or White

DIMENSIONS: 16" W x 16"D x 28.25" H

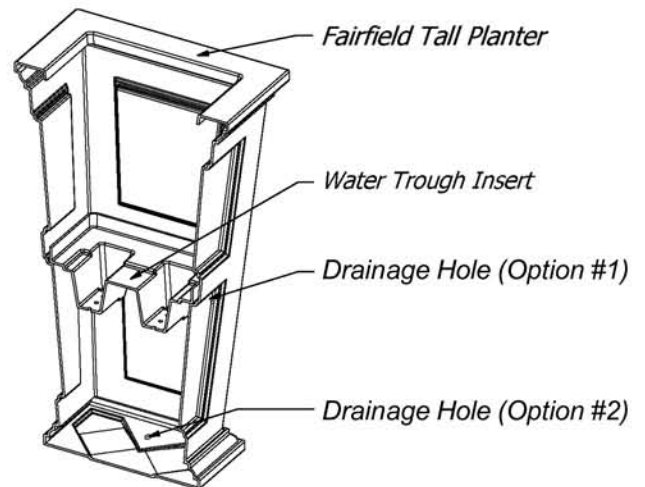
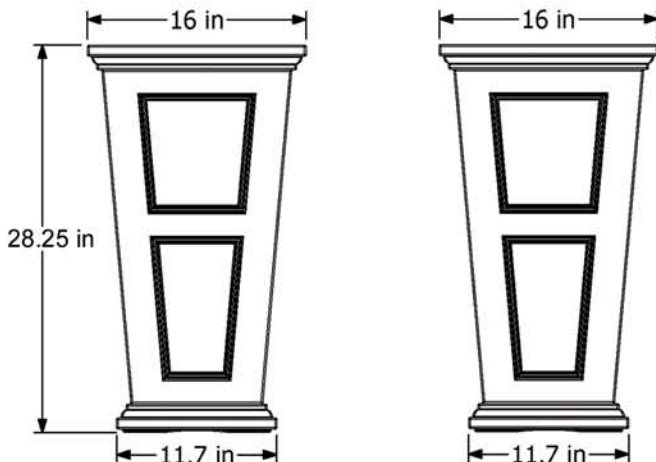
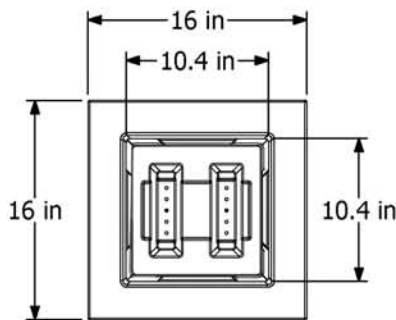
IMPORTANT NOTE:

- Drainage holes are not included and can be drilled in the desired location depending on the intended use of the planter. See instructions on the reverse side for more details.
- Do not overload the patio planters. Lightweight fillers and potting mixes are recommended and yield better plant growth.
- Suitable for flowers, herbs, vegetables, and small plants.

In the event of missing or defective parts, please email info@gomayne.com or call our customer service department toll free at 866-363-8834 (available Monday through Friday, 8am-5pm EST).

General Information:

- Read instructions carefully before beginning assembly.
- To clean the product, for best results use a soap solution and high-pressure water.
- On the reverse side of this instruction sheet there are a few potting recommendations, but please consult your local garden center for more detailed information.
- The molded polyethylene construction is designed to withstand cold temperatures but you may wish to winter store the planter in a shed or garage to offer the best protection from extreme cold.



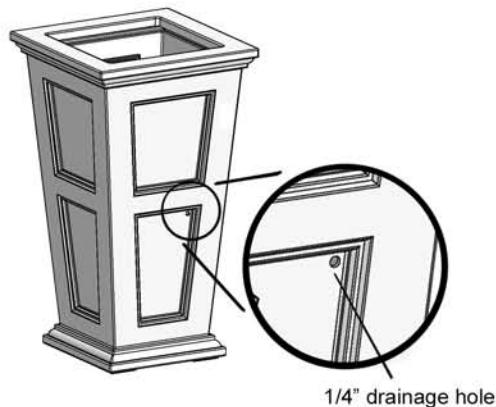
Cross Section

Drainage Holes:

Depending on the intended use of the planter, the drainage holes need to be drilled in different locations.

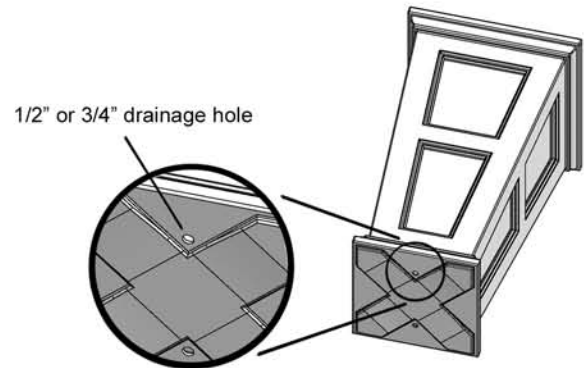
Option #1:

To utilize the water trough system and create a self watering effect we recommend drilling a hole in the top right corner of the bottom inset panel. This allows the planter to maintain the ideal amount of water to keep the plant roots moist and avoid oversaturation of the soil. When you place the planter on your patio face the drain hole to the back so it is out of view.



Option #2:

To use the planter as a regular container planter simply drill one or two holes in the bottom of the planter to allow for drainage. This option is also recommended for home owners who prefer to simply place a potted plant or hanging basket in the Fairfield Tall Planter.



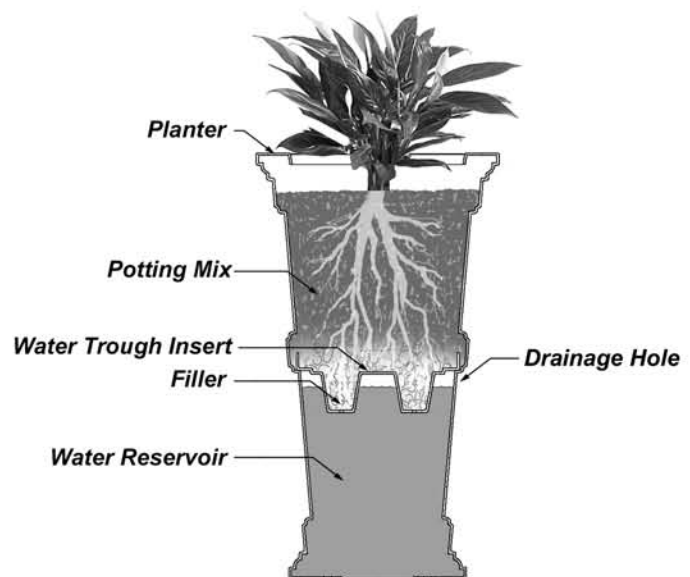
General Recommendations:

To maximize the efficiency of the sub-irrigation system and encourage healthy plant growth we recommend the following:

- 1) Fill the reservoir with water allowing the overflow to pour out the drainage hole.
- 2) Add a layer of lightweight filler to the bottom of the planter.
- 3) Top up the planter with a potting mix (not garden soil) containing peat moss, perlite or vermiculite. Many gardeners have found "soil-less" potting mixes promote stronger root growth.

Sub-Irrigation System

The Fairfield planter includes a water trough insert creating a reservoir at the bottom of the planter. Capillary action allows water in the reservoir to soak upward keeping the soil and plant roots moist. To avoid oversaturation a hole is located in the side of the planter to allow excess water to drain freely from the reservoir. Regular watering is required for the first few weeks giving the root system time to develop. Please note that due to the height of the planter, the root system on some plants may not fully reach the water trough so regular watering may be required for a longer period of time.



NOTE: The information above is only suggested and Mayne holds no liability for the condition or growth of your plants.