

General Information:

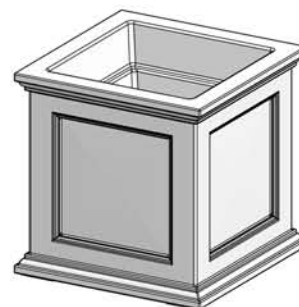
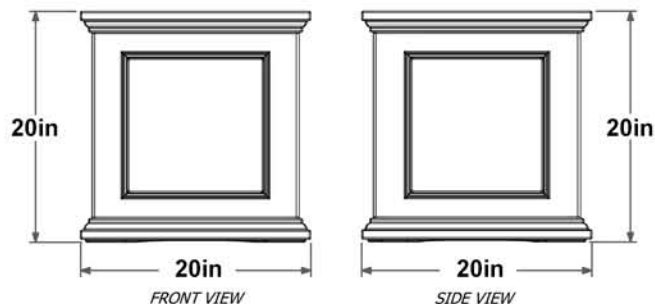
- Read instructions carefully before beginning assembly.
- To clean the product, for best results use a soap solution and high-pressure water.
- On the reverse side of this instruction sheet there are a few potting recommendations, but please consult your local garden center for more detailed information.
- **In the event of missing or defective parts, please call our customer service department toll free at 866-363-8834 (Monday through Friday, 8am-5pm EST).**

Fairfield 20in Square

Dimensions: 20in x 20in x 20in

Colors: White, Black

Material: Polyethylene

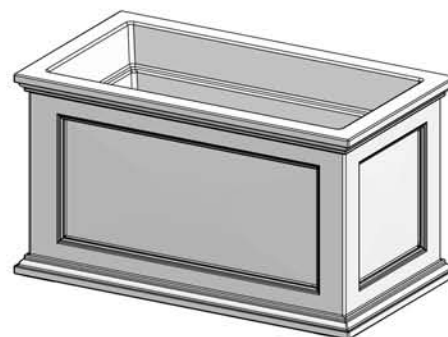
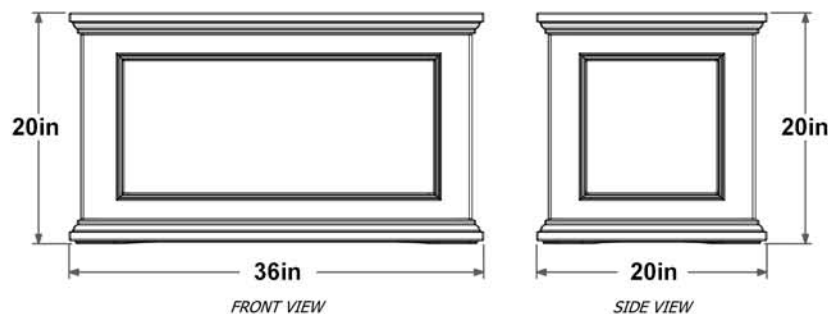


Fairfield 36x20

Dimensions: 36in x 20in x 20in

Colors: White, Black

Material: Polyethylene

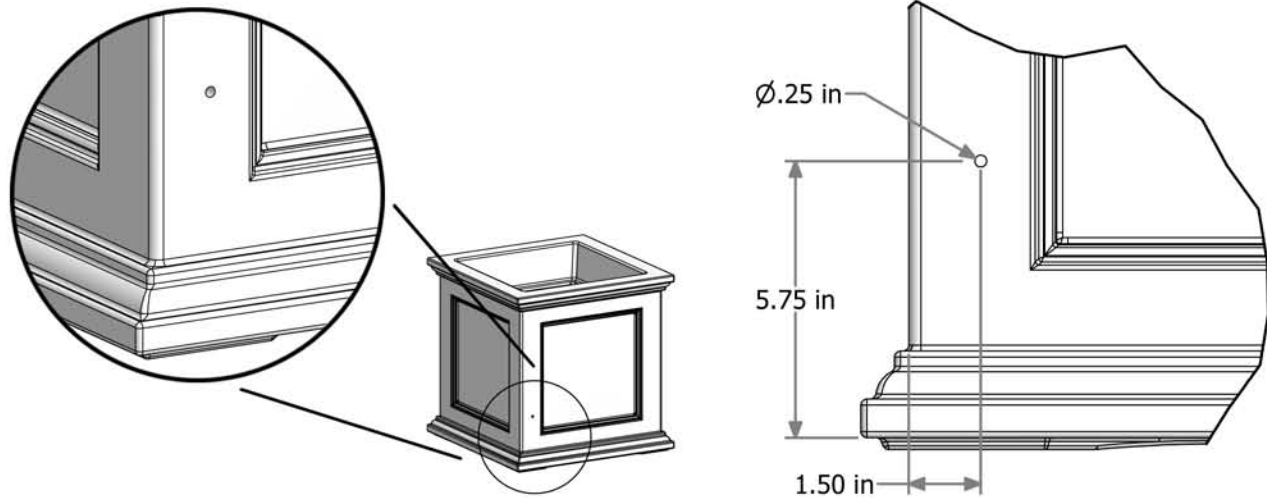


IMPORTANT NOTE:

- Do not overload the patio planters. Lightweight fillers and potting mixes are recommended and yield better plant growth.

Drainage Holes

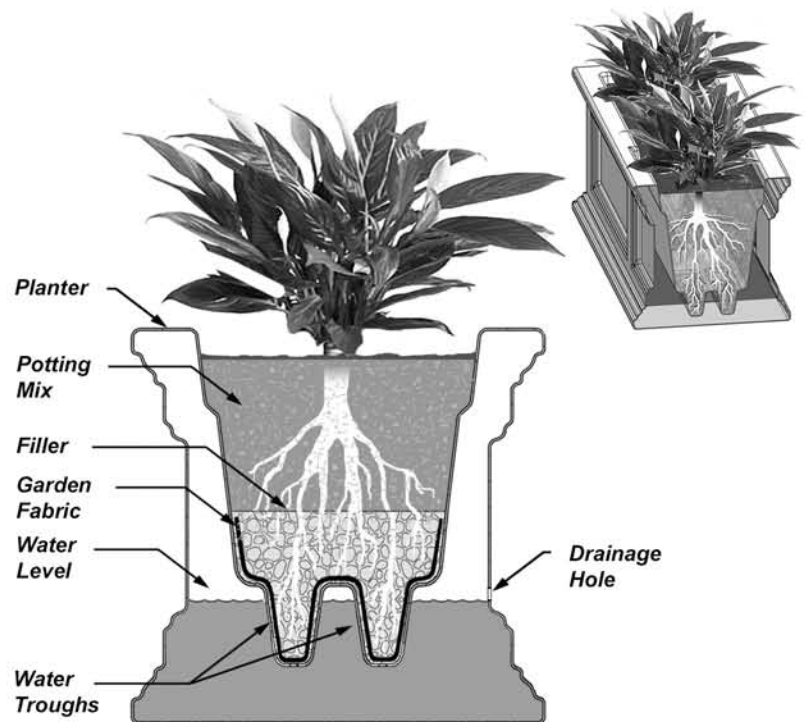
Depending on the intended use of the planter we recommend pre-drilling a drainage hole. To maximize the effectiveness of the sub-irrigation system we recommend drilling a 1/4 inch hole in the bottom corner of the planter (Fig. 1). Dimensions are shown below (Fig. 2) to drill the drainage hole in the proper location. You may wish to drill a drainage hole at each end. If you prefer to use planter trays you can simply drill a 1/2 inch drainage hole in the bottom of the planter to avoid water overflow.



Sub-Irrigation System

To maximize the efficiency of the sub-irrigation system and encourage healthy plant growth we recommend the following:

- 1) Fill the reservoir with water allowing the overflow to pour out the drainage hole.
- 2) Place a layer of garden fabric along the bottom of the planter making sure it fits into the troughs. This will keep the potting mix from falling into the water reservoir.
- 3) Add a few of inches of lightweight filler in the bottom portion of the planter (i.e. vermiculite).
- 4) Top off the planter with a potting mix (not garden soil) containing peat, perlite or vermiculite (*note: many gardeners have found "soil-less" potting mixes promote stronger root growth*).



Watering:

It may take several weeks (6-8) before the root system will fully grow into the trough system. Until that time regular watering is required. Please note that planters with increased exposure to the sun will loose moisture quickly.

NOTE: The above information is only suggested and Mayne holds no liability for the condition of your plant growth.