

Deck Rail Assembly Instructions

MIS007

General Information:

- Read instructions carefully before beginning assembly.
- Identify each component from the material list.
- Do not use excessive force when assembling components.
- Deck rail brackets are designed to accommodate a standard 2x6 railing. To ensure proper installation on 2x4 railings we recommend the use of lumber backing (see Step 3).
- **In the event of missing or defective parts, please call our customer service department toll free at 866-363-8834 (Monday through Friday, 8am-5pm EST).**

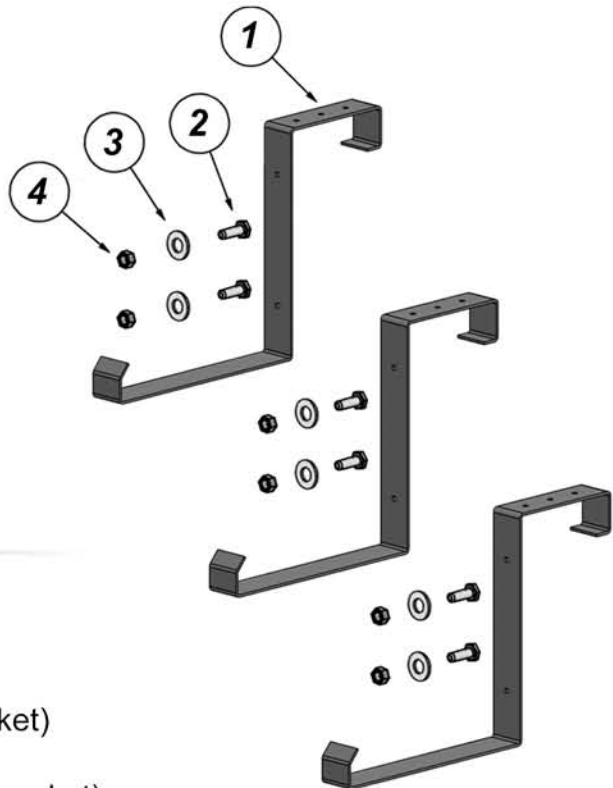
Tools Required:

- Cordless drill
- Phillips drill bit
- 13/32in Socket and Wrench
- Tape measure
- Adjustable wrench

Materials List:

Part # Description

- | | |
|---|--|
| 1 | Deck Rail Brackets
(3-pack, 4-pack, or 5-pack) |
| 2 | 3/16in x 1/2in Hex Head Bolt
(2 bolts included with each bracket) |
| 3 | 1/4in Flat Washer
(2 washers included with each bracket) |
| 4 | 3/16in Hex Head Nut
(2 nuts included with each bracket) |



IMPORTANT NOTE:

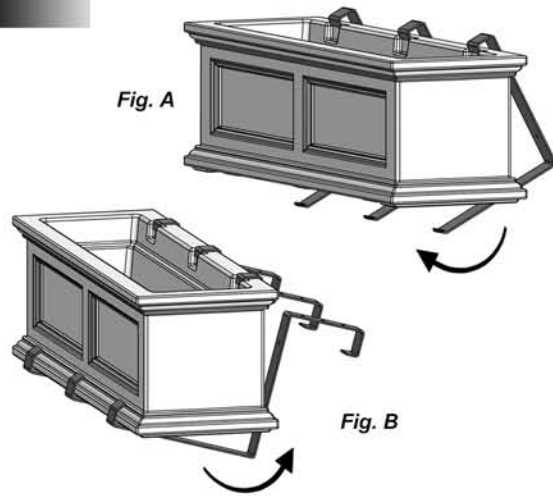
- For added safety we strongly recommend fastening the brackets to the railing with screws or a nut and bolt combination.

MAYNE[®]
Outdoor Products of Distinction
www.mayneposts.com

Deck Rail Assembly Instructions

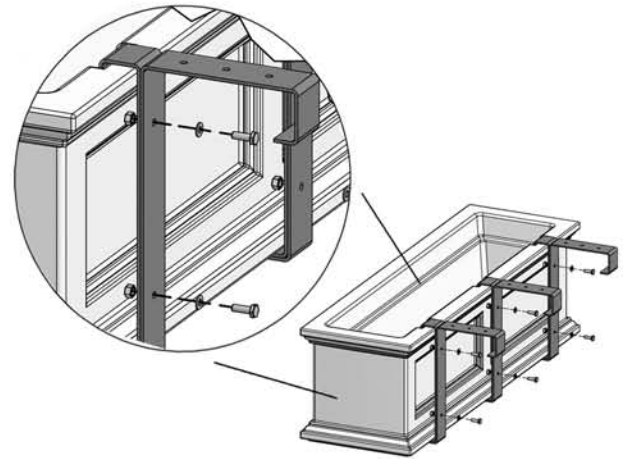
MIS007

1.



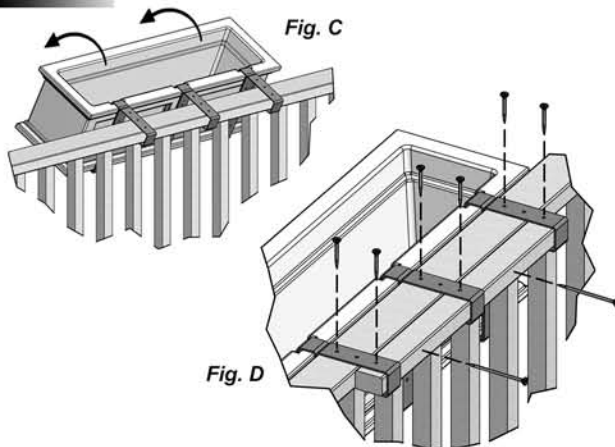
For deck rail installations first hook the wall mount brackets (included with Mayne window planter) onto the planter (Fig. A). Next, install the deck rail brackets (part 1) by hooking the front part of the bracket around the front of the planter (Fig. B).

2.



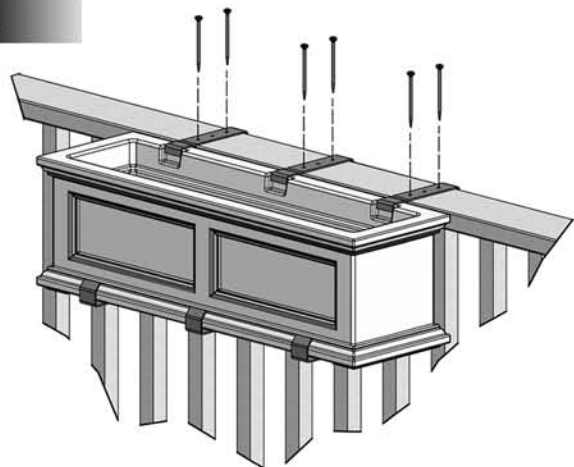
Align the deck rail brackets (part 1) with the existing wall mount brackets. Fasten them together using the bolt (part 2), washer (part 3), and nut (part 4) hardware provided.

3.



Lift the planter up on an angle and hook the brackets around the railing (Fig. C). Rotate the box back down to a resting position. For narrow railings we suggest using a piece of lumber backing to ensure the planter sits securely on the railing (Fig. D). The brackets and backing will need to be fastened in place.

4.



Three holes are pre-drilled in the top of each bracket. For added safety and security it is strongly recommended that at least 2 steel screws, or a nut and bolt combination be fastened directly to the railing through each bracket (hardware to fasten the bracket to the railing is not included).

For questions or concerns please contact us toll free at 866-363-8834 or email info@mayneposts.com.

MAYNE[®]
Outdoor Products of Distinction
www.mayneposts.com