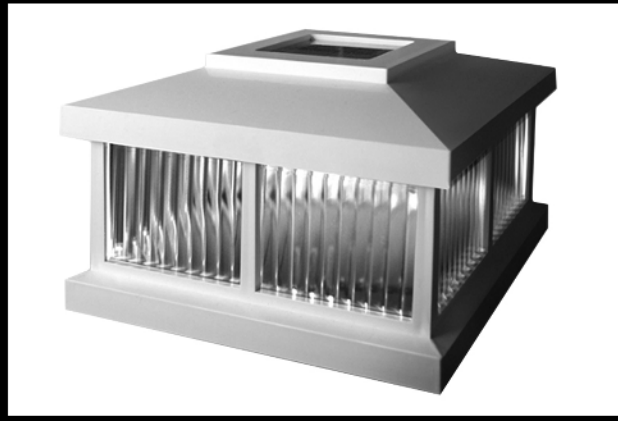


Mayne Solar Cap (part # LMZ-625)

MIS041



PACKAGE CONTENTS: Solar Cap, 4x Screws, 2 "AA" Rechargeable Batteries

COLORS: Black or White

DIMENSIONS: 6.375" W x 6.375"D x 4.375" H

TOOLS REQUIRED: Phillips Screw Driver

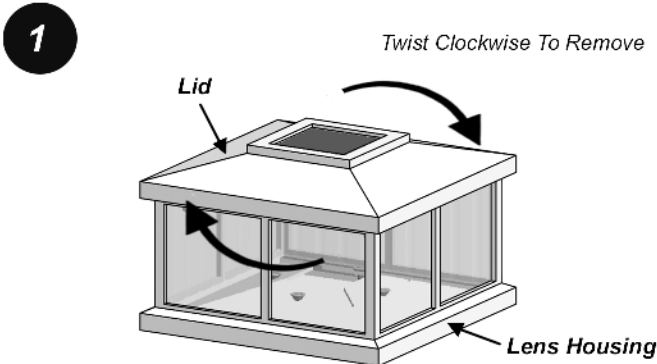
IMPORTANT NOTE:

- The rechargeable batteries included with the solar cap may not be fully charged upon delivery. Please allow a few days of exposure to the sun to charge the batteries.

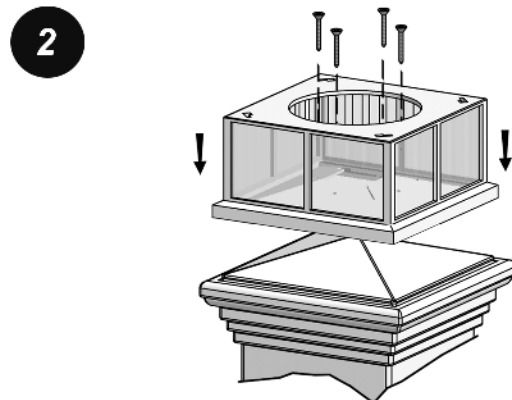
In the event of missing or defective parts, please email info@gomayne.com or call our customer service department toll free at 866-363-8834 (available Monday through Friday, 8am-5pm EST).

General Information:

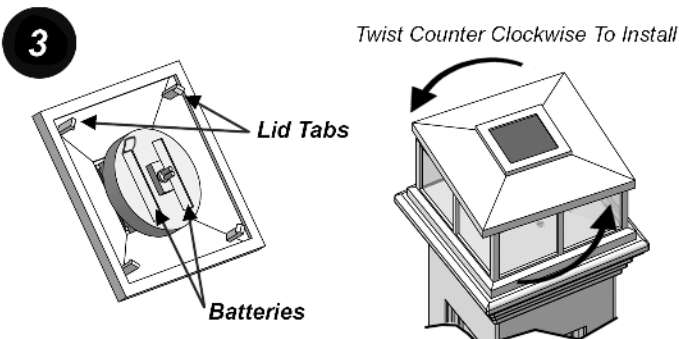
- Read instructions carefully before beginning assembly.
- For use with Mayne mail posts (*Newport, Westbrook, Rockport, Dover, and Signature Models*)



Remove the solar cap lid by holding the lens housing in place and then twist the lid in a clockwise direction. Be careful when twisting the lid to avoid damaging the tabs.



Place the lens housing on top of the post. Secure 4 screws through the holes in the solar cap adaptor plate (access through the circular hole in the lens housing).



Be sure to pull the plastic tab from bottom of the lid to activate the batteries (*also check for correct orientation of the batteries*). Next, line up the lid tabs with the slots in the lens housing and twist counter clockwise to lock it in place.

MAYNE[®]
Outdoor Products of Distinction
www.gomayne.com